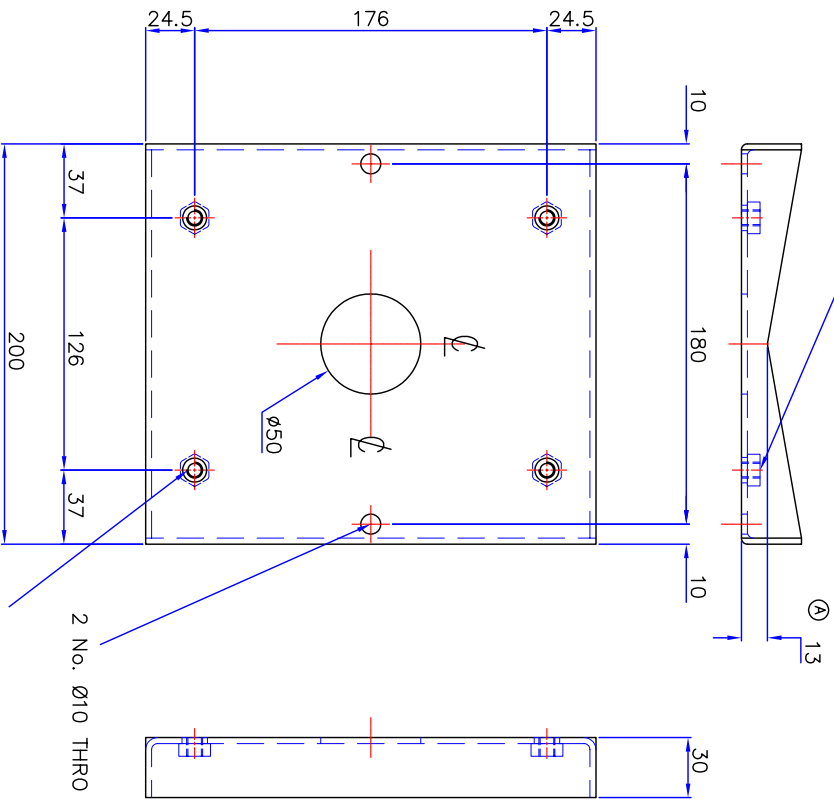


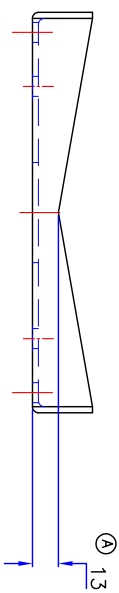
4 No. M8 HANK BUSHES
FITTED THIS SIDE



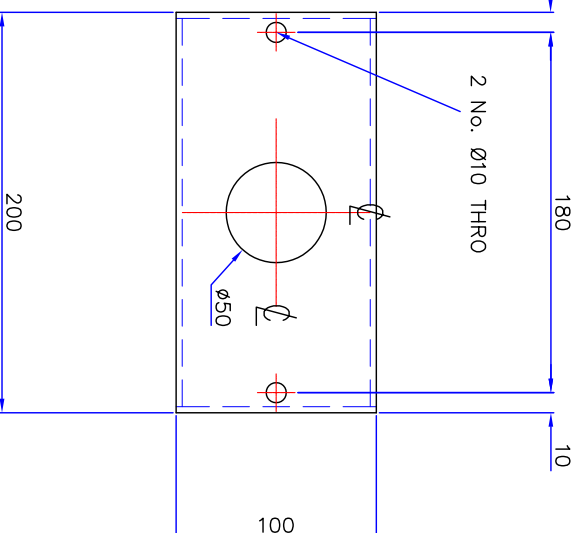
4 No. Ø12.7 FOR
M8 HANK BUSHES
FITTED OTHER SIDE

2 No. Ø10 THRO

MATL./FINISH:
PRODUCE FROM 3mm GALV SHEET
POWDERCOAT RAL7047



2 No. Ø10 THRO



MATL./FINISH:
PRODUCE FROM 3mm GALV SHEET
POWDERCOAT RAL7047

TO BE SUPPLIED WITH
4 No. M8x25 S/S SET SCREWS
4 No. M8x250 S/S STUDS (CUT FROM
1m LENGTHS)
4 No. M8 S/S PLAIN NUTS
8 No. M8 S/S PLAIN WASHERS
8 No. M8 S/S SPRING WASHERS

PART No. JVC-PMA

ALL RIGHTS RESERVED DO NOT SCALE

DIMENSIONS IN mm UNLESS OTHERWISE STATED © ALTRON COMMUNICATIONS EQUIPMENT LTD.

TITLE

JVC UNIVERSAL POLE ADAPTOR (PART No.

JVC-PMA)

PRODUCT

JVC UNIVERSAL
POLE ADAPTOR

DATE

SEP 08

ISSUE

A 13 WAS 10 15/09/08 GC

AMENDMENT

CLIENT

STD PRODUCT

DRAWN

GC

CAD RELEASE - 1

MATERIAL

EN10219

FINISH

GALVANIZE TO ISO 1461

ALTRON COMMUNICATIONS EQUIPMENT LTD

TOWER HOUSE

PARC HENDRE

AMMANFORD SA18 3SU

TEL: (01269) 831431

FAX: (01269) 845348

e-mail: comms@altron.co



ALTRON

DWG. No.

4313-4

A